

# FLEX 72L Upgrade Kit Installation Guide

Fixture: FLEX- Wall Mount **(HID to LED)**

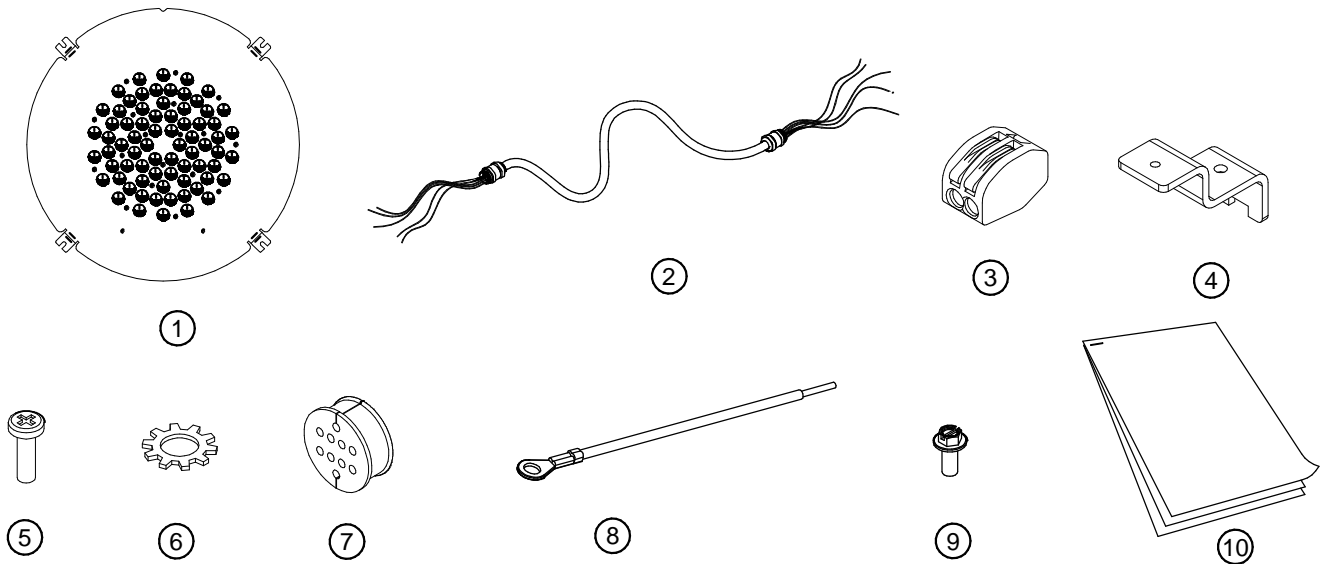


**WARNING:** Fixtures must be grounded in accordance with local codes or the National Electrical Code. Failure to do so may result in serious personal injury.

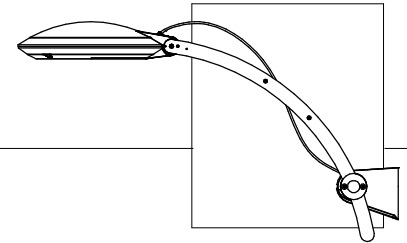
**MAINTENANCE:** A regularly scheduled maintenance program should be established to retain optimum light output and reduce heat retention. Dusting with a soft, clean, dry cloth is normally sufficient for the optics.

**CAUTION:** All wiring must be done by a qualified electrician. KEEP THIS SHEET FOR FUTURE REFERENCE.

## UPGRADE KIT CONTENTS



ITEM #	QTY	PART #	DESCRIPTION	NOTES
1	1	-	FLEX2 72LED OPTICAL ARRAY	
2	1	A40248	CONDUIT ASSY-5 GA 44 1/2in OAL	VERY SHORT ARM
	1	A40248-3	CONDUIT ASSY-5 GA 65 1/2IN OAL	SHORT ARM
	1	A40248-5	CONDUIT ASSY-5 GA 79 1/2in OAL	LONG ARM
3	10	93035846	CONN-WAGO 2-WIRE 221-412	
4	4	93044354	BRKT-MNT-56LED-FLEX	
5	8	A84346	SCR-10-24X5/8 PHH PHMS SS	
6	4	A84104	WSHR-No. 10 LK EXT TOOTH SS	
7	1	82246	GASKET MOLDED GROMMET (10 HOLE)	
8	1	A74034-6	WIRE-14GA LEAD 6in GRND SF2	
9	1	A84409	SCR-8-32 GROUND-DEROSA No. B628	
10	1	93046642	INTS-(FLEX-72LED) UPGRADE-WALL MNT	



# FLEX 72L Upgrade Kit Installation Guide

Fixture: FLEX- Wall Mount **(HID to LED)**

## 1. REMOVE EXISTING REFLECTOR ASSEMBLY

**! TURN OFF ALL POWER TO THE UNIT AND TAKE PROPER SAFETY PRECAUTION.**

2. OPEN LOWER HALF OF THE HOUSING BY INSERTING FINGERS INTO SLOTS AND PULLING BOTH LATCHES BACK SIMULTANEOUSLY. (FIG. 1-1)/(FIG. 1-1A)

3. REMOVE AND DISCONNECT EXISTING INSTALLED REFLECTOR ASSEMBLY, IN ADDITION TO ANY BRACKETS AND HARDWARE SO THAT (4) BOSSES REMAIN UNOBSTRUCTED. (FIG. 1-2)

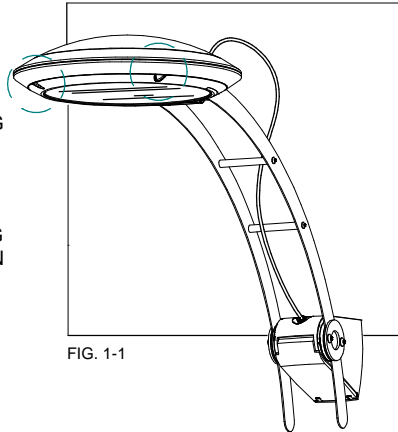


FIG. 1-1

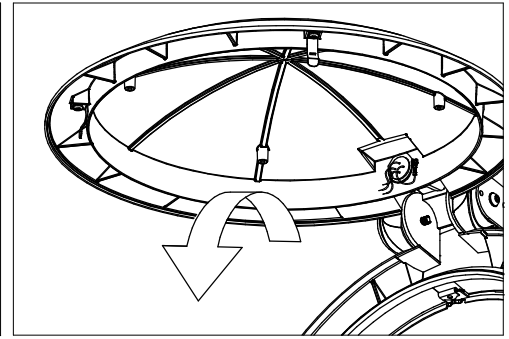


FIG. 1-2

## 2. REMOVE EXISTING BALLAST

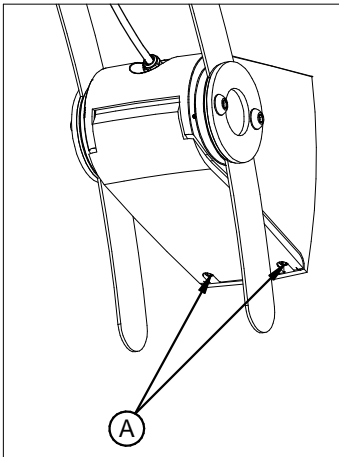


FIG. 2-1

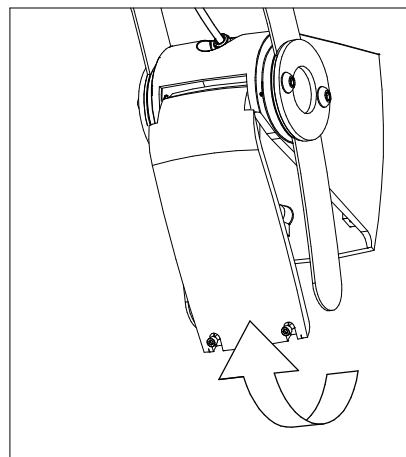


FIG. 2-2

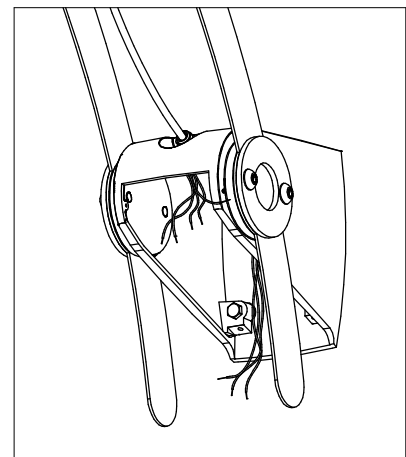


FIG. 2-3

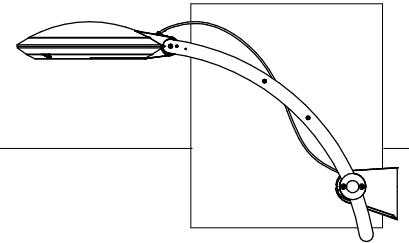
1. LOOSEN AND **SAVE** QTY (2) 1/4-20X .812" SOCKET CAP SCREWS, "A", LOCATED ON THE CAST COVER BALLAST HOUSING. (FIG. 2-1)

2. OPEN BALLAST DOOR TO ACCESS AND DISCONNECT EXISTING BALLAST ASSEMBLY. (FIG.2-2)

3. UNHINGE CAST DOOR TO REMOVE BALLAST ASSEMBLY.

4. REMOVE ALL GROUND/BOND CONNECTIONS THAT ARE ATTACHED TO THE CASTING. (FIG. 2-3)

*(NEW CONNECTIONS WILL BE MADE DURING THE UPGRADE PROCESS)*



# FLEX 72L Upgrade Kit Installation Guide

Fixture: FLEX- Wall Mount **(HID to LED)**

## 3. INSTALL LED MOUNTING BRACKETS

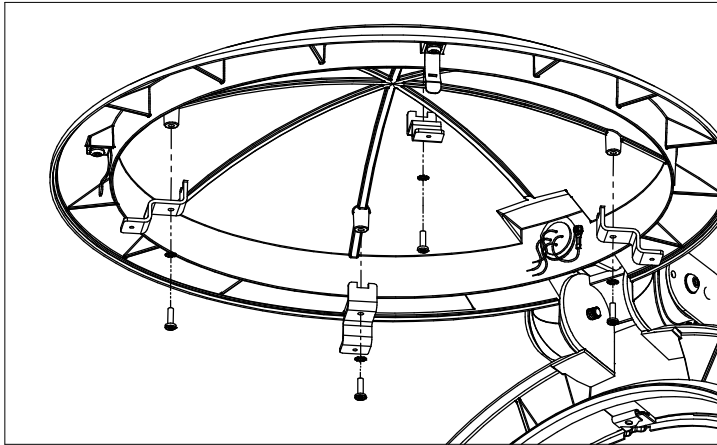


FIG. 3-1

1. INSTALL LED MOUNTING BRACKETS TO UNDERSIDE OF TOP HOUSING AT (4) BOSS POSITIONS. (FIG. 3-1; FIG. 3-1A)

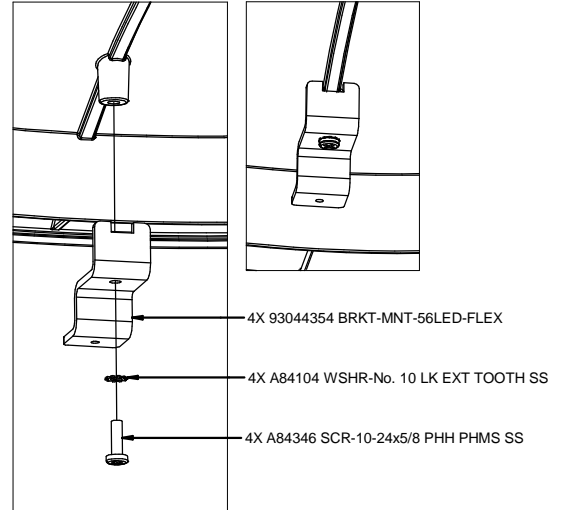


FIG. 3-1A

- 4X 93044354 BRKT-MNT-56LED-FLEX
- 4X A84104 WSHR-No. 10 LK EXT TOOTH SS
- 4X A84346 SCR-10-24x5/8 PHH PHMS SS

## 4. REMOVE EXISTING CONDUIT ASSEMBLY

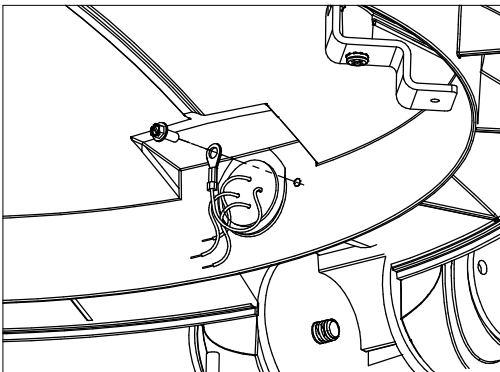


FIG. 4-1

1. REMOVE ALL EXISTING WIRE, GROUND/BOND CONNECTIONS THAT ARE MADE TO THE FIXTURE HOUSING AND DISCARD. (FIG. 4-1)

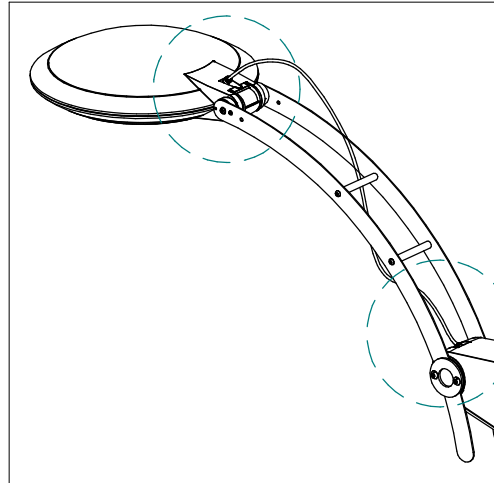


FIG. 4-2

2. REMOVE EXISTING STEEL BRAIDED CONDUIT ASSEMBLY ON THE FIXTURE HOUSING AND BALLAST SIDE WITH A 11/16 WRENCH. (FIG. 4-2A)/(FIG. 4-2B)

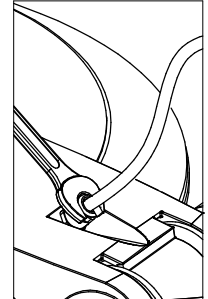


FIG. 4-2A

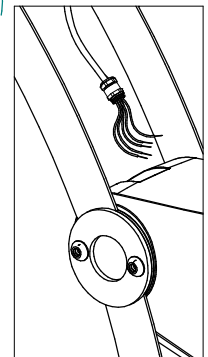
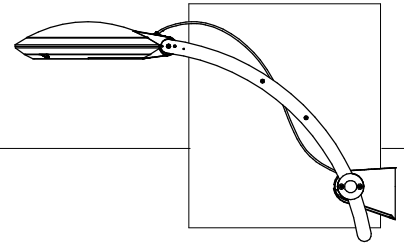


FIG. 4-2B

# FLEX 72L Upgrade Kit Installation Guide

Fixture: FLEX- Wall Mount **(HID to LED)**



## 5. INSTALL 5-CONDUCTOR CONDUIT ASSEMBLY

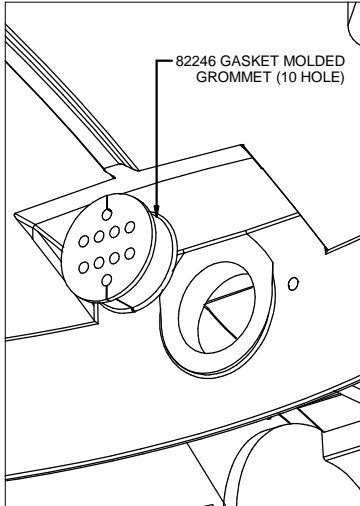


FIG. 5-1

1. WITHIN THE FIXTURE HOUSING, REMOVE AND DISCARD THE EXISTING WIREWAY GROMMET. REPLACE WITH PROVIDED 10-HOLE WIREWAY GROMMET (82246). (FIG. 5-1)

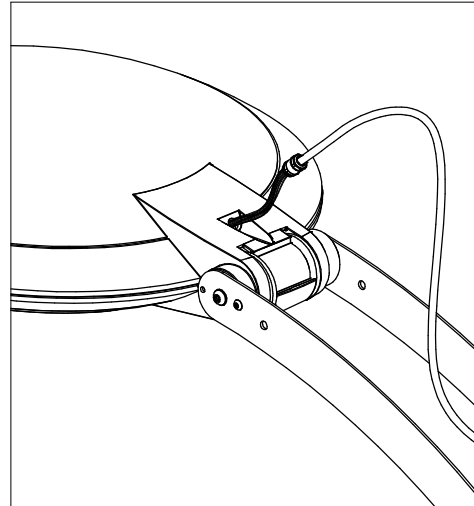


FIG. 5-2

2. USE PROVIDED CONDUIT ASSY-5GA STEEL BRAIDED CABLE. FEED STRANDED BUNDLE OF WIRES INTO FIXTURE HOUSING OPENING. USE THE 10in LONG STRIPPED CORD SIDE. (FIG. 5-2)

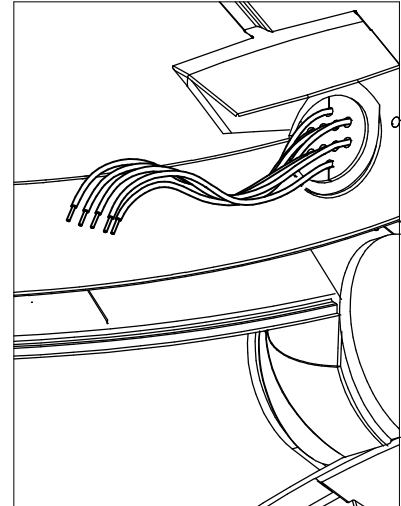


FIG. 5-2B

3. GUIDE EACH INDIVIDUAL WIRE THROUGH A SINGLE OPENING OF THE 10-HOLE WIREWAY GROMMET. (FIG. 5-2B)

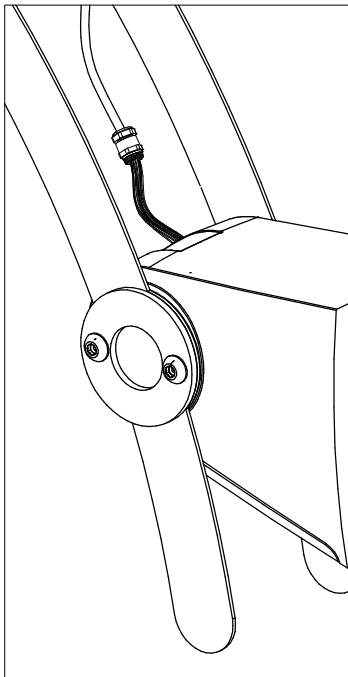


FIG. 5-4

4. INSERT THE OTHER END OF THE CONDUIT ASSY-5GA STEEL BRAIDED STRANDED WIRE BUNDLE INTO THE BALLAST COMPARTMENT OPENING. SHOULD USE THE 17in LONG STRIPPED CORD SIDE. (FIG. 5-4/FIG. 5-4B)

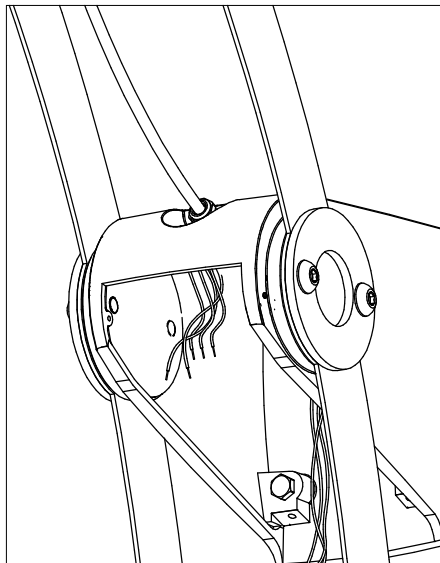


FIG. 5-4B

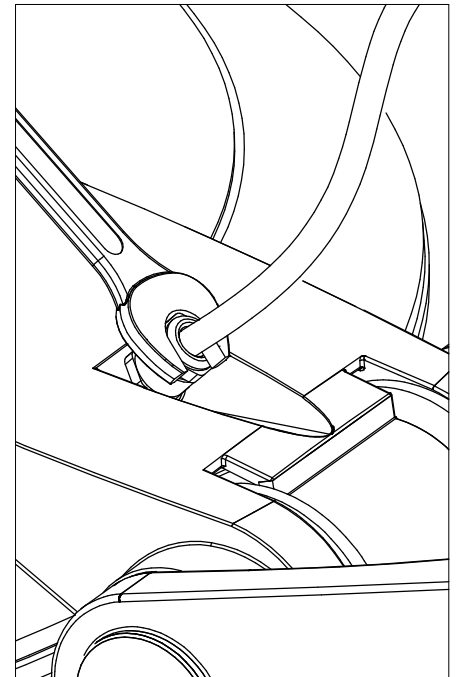
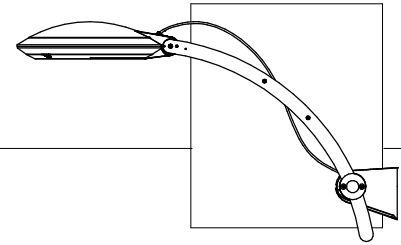


FIG. 5-5

5. TIGHTEN EACH END OF THE CORD GRIP FITTING ON THE FIXTURE HOUSING OPENING AND BALLAST COMPARTMENT OPENING. (FIG. 5-5)

# FLEX 72L Upgrade Kit Installation Guide

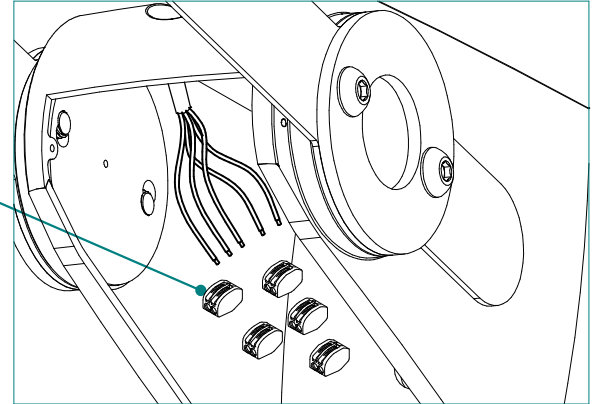
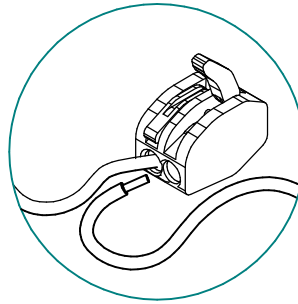
Fixture: FLEX- Wall Mount **(HID to LED)**



## 6. DRIVER COMPARTMENT CONNECTIONS

1. ESTABLISH CONNECTION TO INCOMING POWER USING (5) WAGGOS. COVER DIMMING LEADS IF ARE NOT USED. SEE PAGE 7 FOR CONNECTION DETAILS.

2. CLOSE CAST DOOR AND TIGHTEN PREVIOUSLY SAVED (2) 1/4-20X .812" SOCKET CAP SCREWS. (FIG. 11-2)



DRIVER COMPARTMENT

FIG. 6-1

## 7. INSTALL 72LED OPTICAL ARRAY

1. ESTABLISH CONNECTION TO THE 72LED OPTICAL ARRAY VIA THE WAGO CONNECTORS. SEE PAGE 7 FOR CONNECTION DETAILS.

2. DETERMINE STREET SIDE AND ALIGN WITH OPTICAL ARRAY DIRECTION ACCORDINGLY. LOOK FOR LIGHT PATTERN LABEL (FIG. 7-1A) OR NOTCH ON OPTICAL ARRAY (FIG. 7-1B) FOR LED DIRECTION.

3. INSTALL THE GREEN WIRE WITH A RING TO THE #8-32 THREADED HOLE ON THE TOP CASTING, NEXT TO THE GROMMET (FIG 7-2B) AND CONNECT TO GROUND LEADS.

4. INSTALL 72LED OPTICAL DECK VIA PROVIDED (4) 10-24 x 5/8 SCREWS (A84346) TO THE LED MOUNTING BRACKETS AT 4 POSITIONS. (FIG. 7-2)

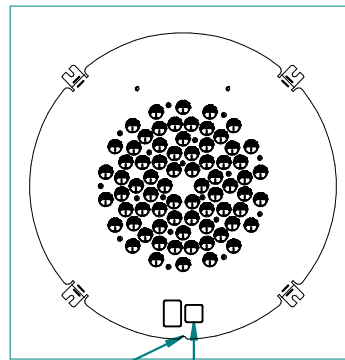


FIG. 7-1

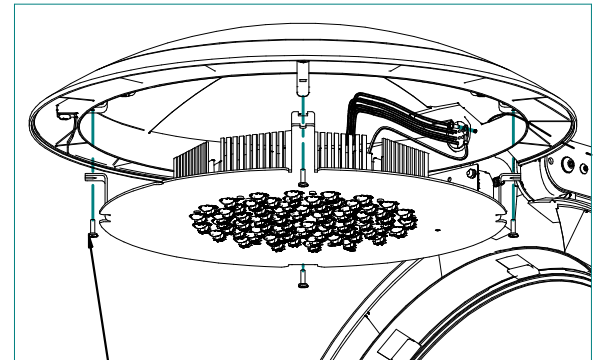


FIG. 7-2

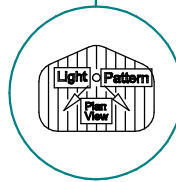


FIG. 7-1B

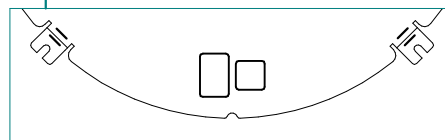


FIG. 7-1A

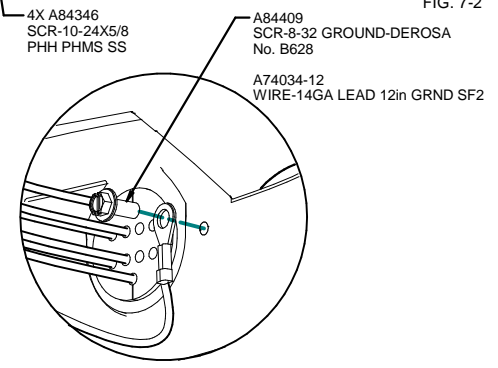


FIG. 7-2B

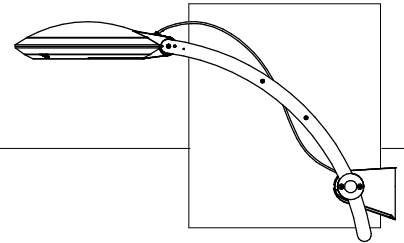
4X A84346  
SCR-10-24X5/8  
PHH PHMS SS

A84409  
SCR-8-32 GROUND-DEROSA  
No. B628

A74034-12  
WIRE-14GA LEAD 12in GRND SF2

# FLEX 72L Upgrade Kit Installation Guide

Fixture: FLEX- Wall Mount ([HID to LED](#))



## 8. \*\*LENS ASSEMBLY

**⚠** FLEX 72 LED UPGRADE DO NOT REQUIRES A FLAT GLASS LENS. (IDEAL FOR HIGHEST LUMEN OUTPUT)

IF A LENS IS DESIRED, FLEX 72 LED REQUIRES THE LENS TO BE OF FULL APERTURE.

**NOTE: SOME EXISTING FIXTURES MAY HAVE A LENS WITH A REDUCED APERTURE AND WILL NEED TO BE REMOVED. (FIG. 8-1)/(FIG. 8-2)**

**NOTE: IF 700mA UPGRADE IS ORDERED, LENS MUST BE REMOVED. (FIG. 8-1)/(FIG. 8-2)**

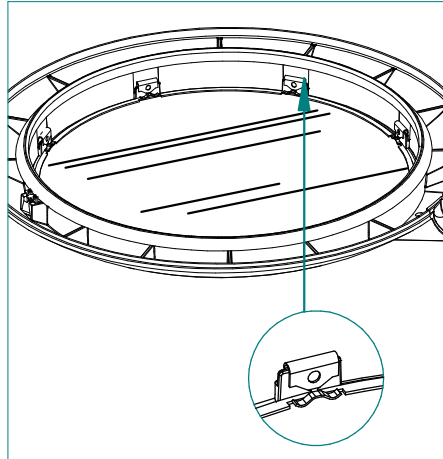


FIG. 8-1

1. REMOVE (8) LENS CLIPS THAT HOLD FLAT GLASS LENS TO LOWER HOUSING OF THE FIXTURE. (FIG. 8-1A).
2. REMOVE FLAT GLASS LENS ALONG WITH EDGE GASKET AND DISCARD.
3. CLOSE LOWER HALF OF FIXTURE HOUSING.

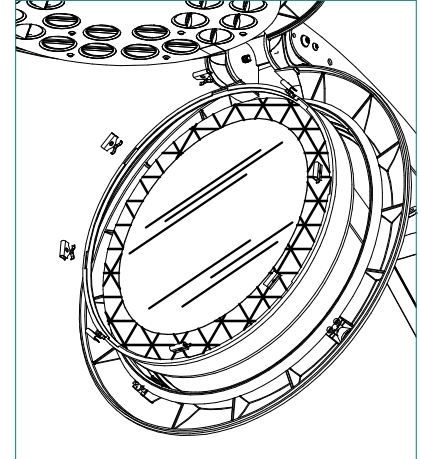
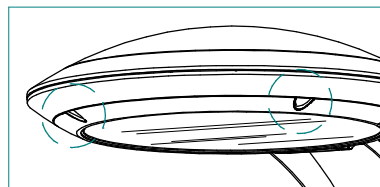


FIG. 8-2

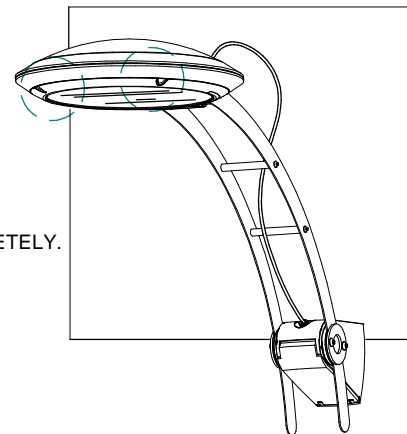
**OR**

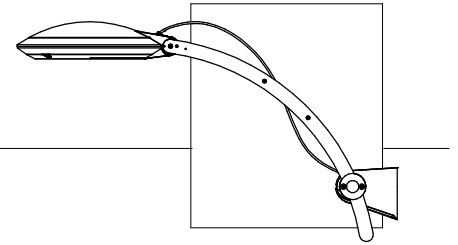
1. REMOVE FLAT GLASS LENS WITH REDUCED APERTURE AND REPLACE WITH FULL APERTURE LENS.
2. CLOSE LOWER HALF OF FIXTURE HOUSING.

## 9. FINISH INSTALLATION



1. CLOSE LOWER HALF OF THE HOUSING AND MAKE SURE THE LATCH LOCKS COMPLETELY.
2. RESTORE POWER AND CHECK FOR OPERATION.
3. INSTALLATION COMPLETE.

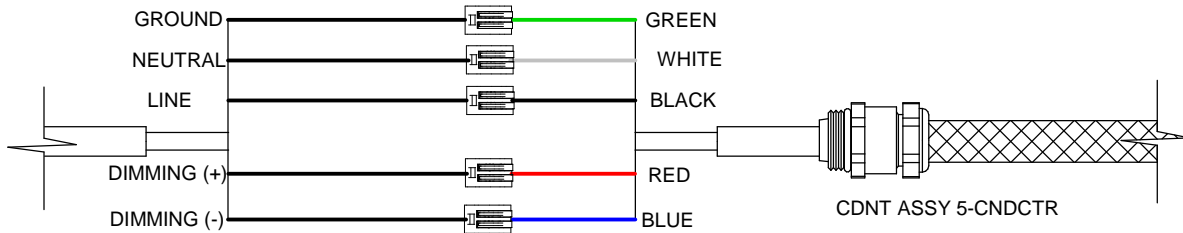




# FLEX 72L Upgrade Kit Installation Guide

Fixture: FLEX- Wall Mount **(HID to LED)**

## FLEX 72LED WIRING DIAGRAM



### BALLAST COMPARTMENT WIRING

